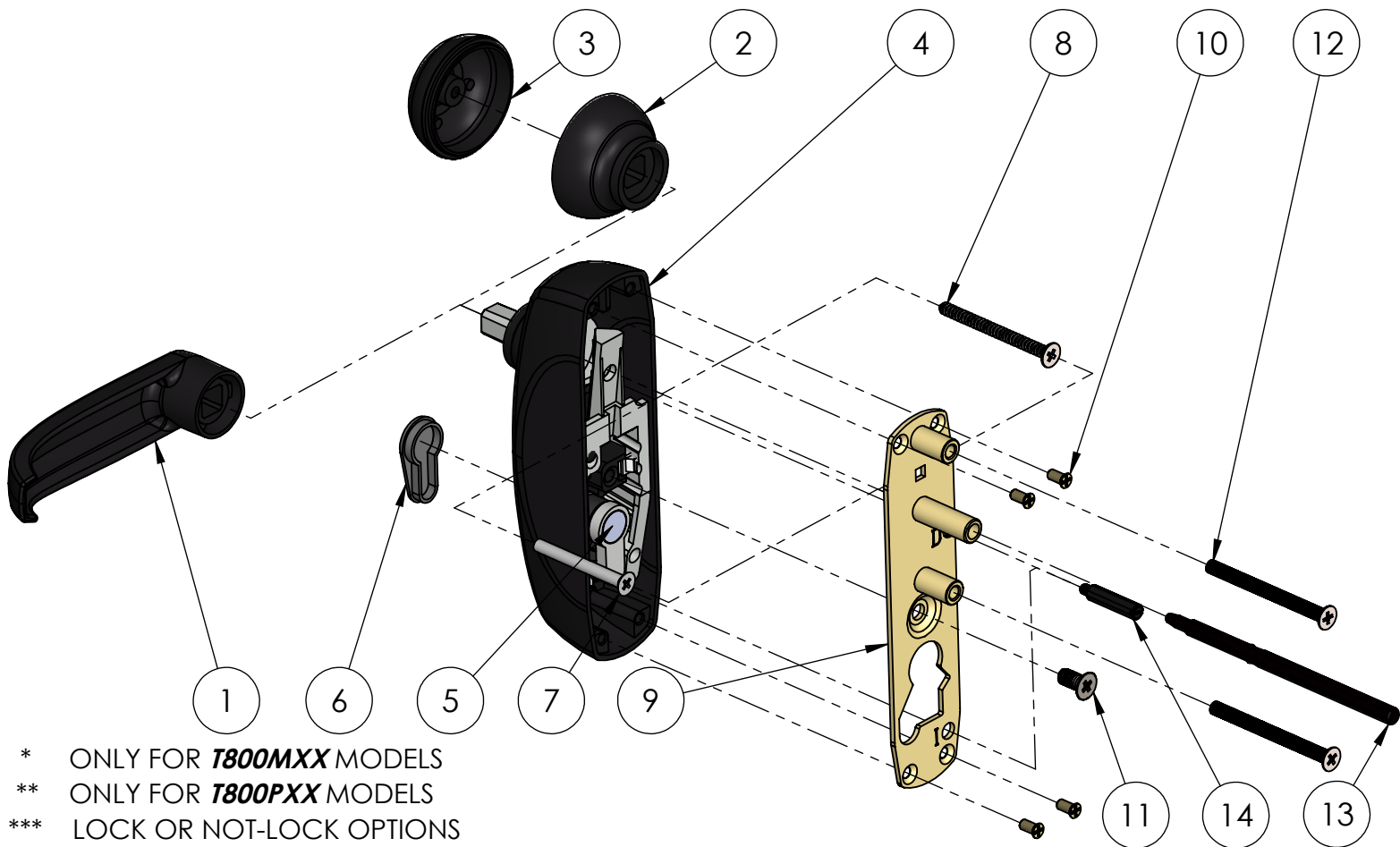


# OUTSIDE LEVER / DOORKNOB (EXPLODED DIAGRAM)



- \* ONLY FOR **T800MXX** MODELS
- \*\* ONLY FOR **T800PXX** MODELS
- \*\*\* LOCK OR NOT-LOCK OPTIONS
- \*\*\*\* ONLY FOR **T800MXXB** AND **T800PXXB** MODELS

14	STOP COLUMN FOR HAND SELECTION (D=RIGHT ; I=LEFT)	NYLON 6.6	NATURAL (BLACK)	1
13	THRUST PIN	SAE 12L14 STEEL ****/ NYLON 6.6 GF25	YELLOW ZINC PLATED / NATURAL (BLACK)	1
12	FIXING OUTSIDE TRIM TO DOOR SCREW	COMMERCIAL COUNTERSUNK HEAD W1/4" x 2-1/4"	BLUE ZINC PLATED	2
11	BASE FLANGE CENTRAL SCREW	COMMERCIAL COUNTERSUNK HEAD M6 x 12	BLUE ZINC PLATED	1
10	BASE FLANGE SCREW	COMMERCIAL COUNTERSUNK HEAD M4 x 8	YELLOW ZINC PLATED	4
9	BASE FLANGE	SAE 1010 METAL SHEET	YELLOW ZINC PLATED	1
8	FIXING DOORKNOB TO MECHANISM SCREW **	COMMERCIAL COUNTERSUNK HEAD PARKER #10 x 2-1/4"	BLUE ZINC PLATED	1
7	FIXING LEVER TO MECHANISM SCREW *	COMMERCIAL COUNTERSUNK HEAD M5 x 45	BLUE ZINC PLATED	1
6	BASE BLIND COVER ***	NYLON 6.6	NATURAL (BLACK OR GRAY)	1
5	EURO CYLINDER LOCK SCHLAGE KEYWAY ***	COMMERCIAL	NICKEL PLATED	1
4	OUTSIDE TRIM BASE	ZAMAK 5	ELECTROSTATIC PAINTING	1
3	DOORKNOB CAP **	NYLON 6.6	NATURAL (BLACK OR GRAY)	1
2	DOORKNOB BASE **	NYLON 6.6	NATURAL (BLACK OR GRAY)	1
1	LEVER *	ZAMAK 5	ELECTROSTATIC PAINTING	1
<b>No.</b>	<b>PART. NAME</b>	<b>MATERIAL</b>	<b>FINISH</b>	<b>QTY</b>

## BILL OF MATERIAL (BOM)