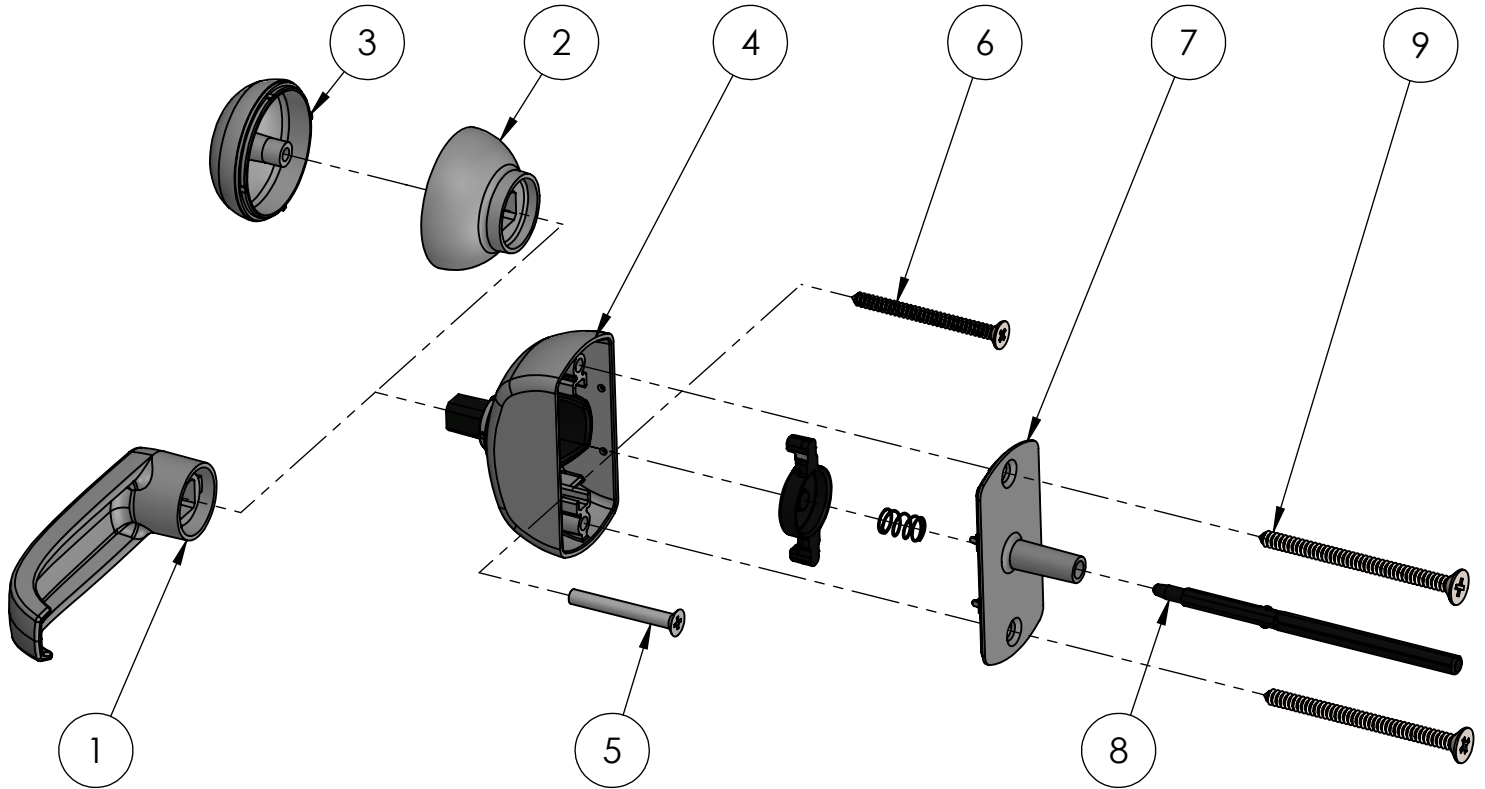


T850M / P

EXP-16-T850

PASSAGE LEVER / DOORKNOB TRIM (EXPLODED DIAGRAM)



* ONLY FOR **T850MXX** MODELS

** ONLY FOR **T850PXX** MODELS

9	THRUST PIN	NYLON 6.6 GF25	NATURAL (BLACK)	1
8	FIXING OUTSIDE TRIM TO DOOR SCREW	COMMERCIAL COUNTERSUNK HEAD PARKER #12 x 3"	BLUE ZINC PLATED	2
7	BASE FLANGE	NYLON 6.6	NATURAL (BLACK OR GRAY)	1
6	FIXING DOORKNOB TO MECHANISM SCREW **	COMMERCIAL COUNTERSUNK HEAD PARKER #10 x 2-1/4"	BLUE ZINC PLATED	1
5	FIXING LEVER TO MECHANISM SCREW *	COMMERCIAL COUNTERSUNK HEAD M5 x 40	BLUE ZINC PLATED	1
4	OUTSIDE TRIM BASE	NYLON 6.6	NATURAL (BLACK OR GRAY)	1
3	DOORKNOB CAP **	NYLON 6.6	NATURAL (BLACK OR GRAY)	1
2	DOORKNOB BASE **	NYLON 6.6	NATURAL (BLACK OR GRAY)	1
1	LEVER *	ZAMAK 5	ELECTROSTATIC PAINTING	1
No.	PART. NAME	MATERIAL	FINISH	QTY

BILL OF MATERIAL (BOM)